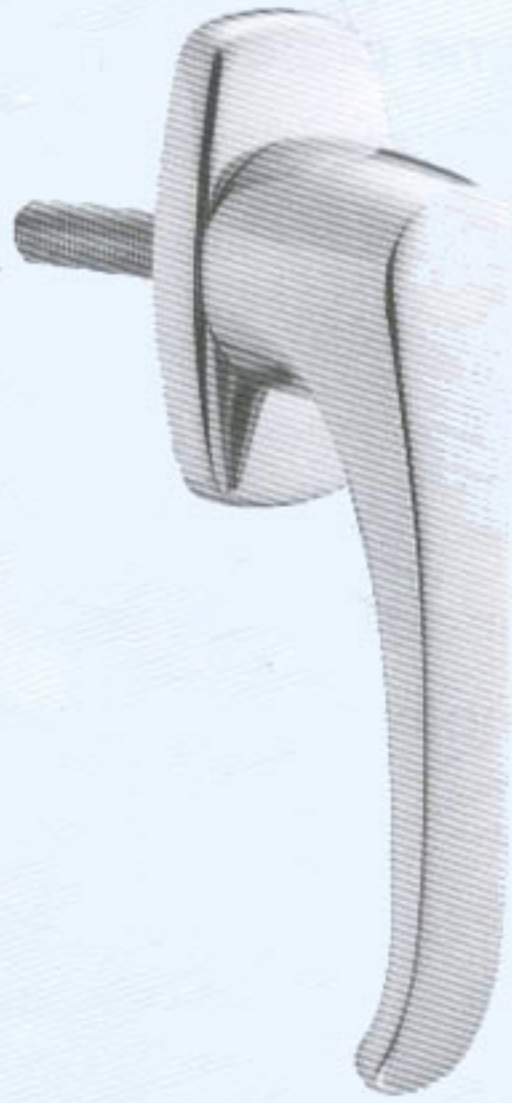


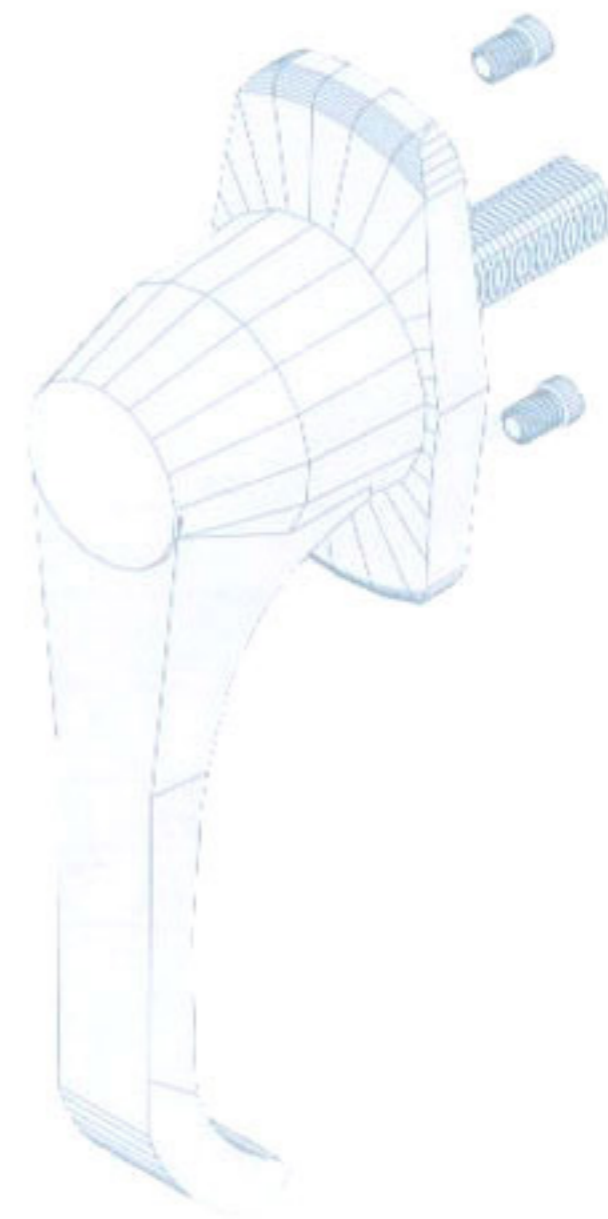
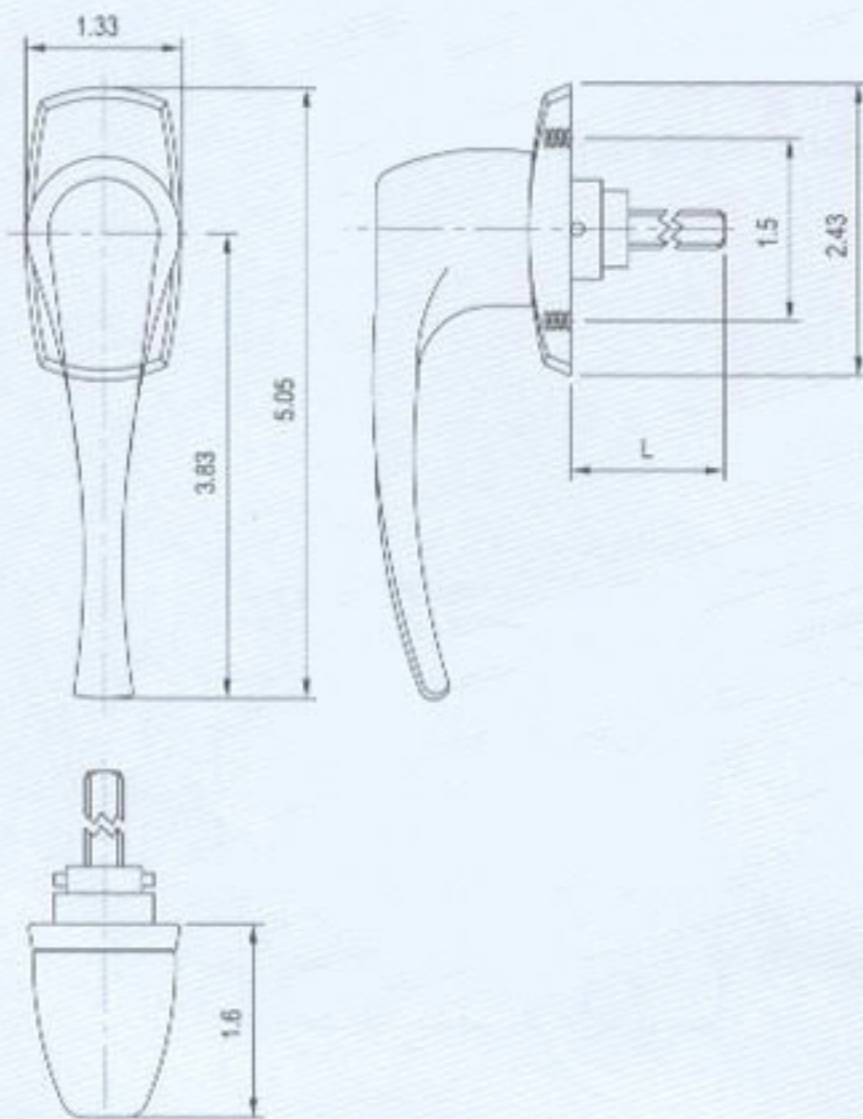
L704



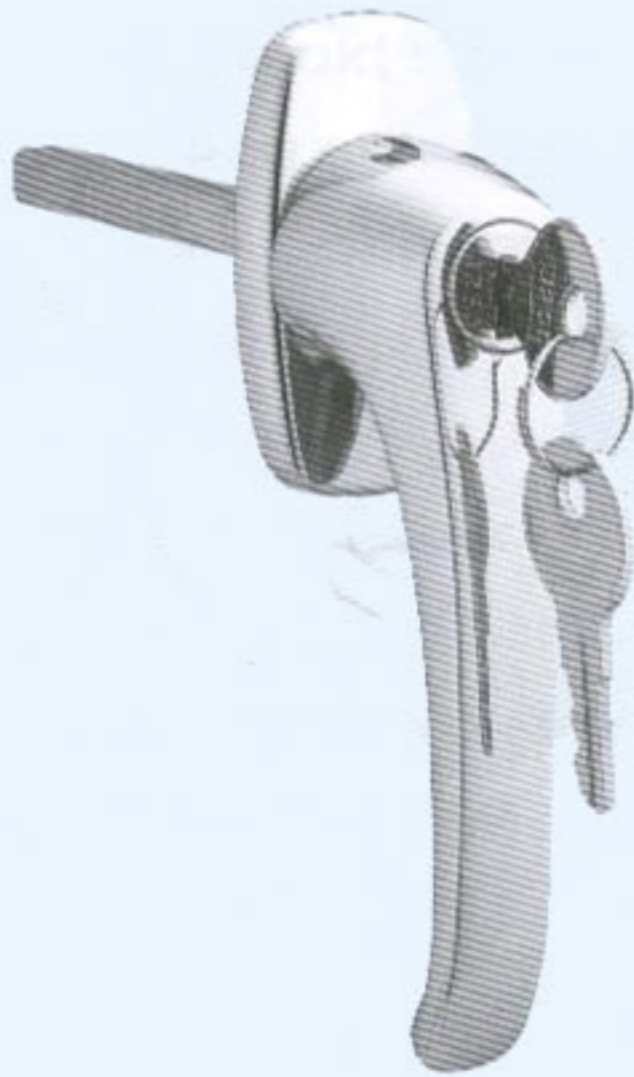
DESCRIPTION

- . Zinc alloy die cast housing and cylinder.
- . Bright chrome plated standard; other finishes available upon request.
- . L704 non-locking
- . 90 degree clockwise or 90 degree counter-clockwise rotation.
- . 1 1/2" blind mount centers.
- . "L" dimension 2" threaded standard, other sizes available upon request.
- . See page 93 for standard cams.

Unit: in



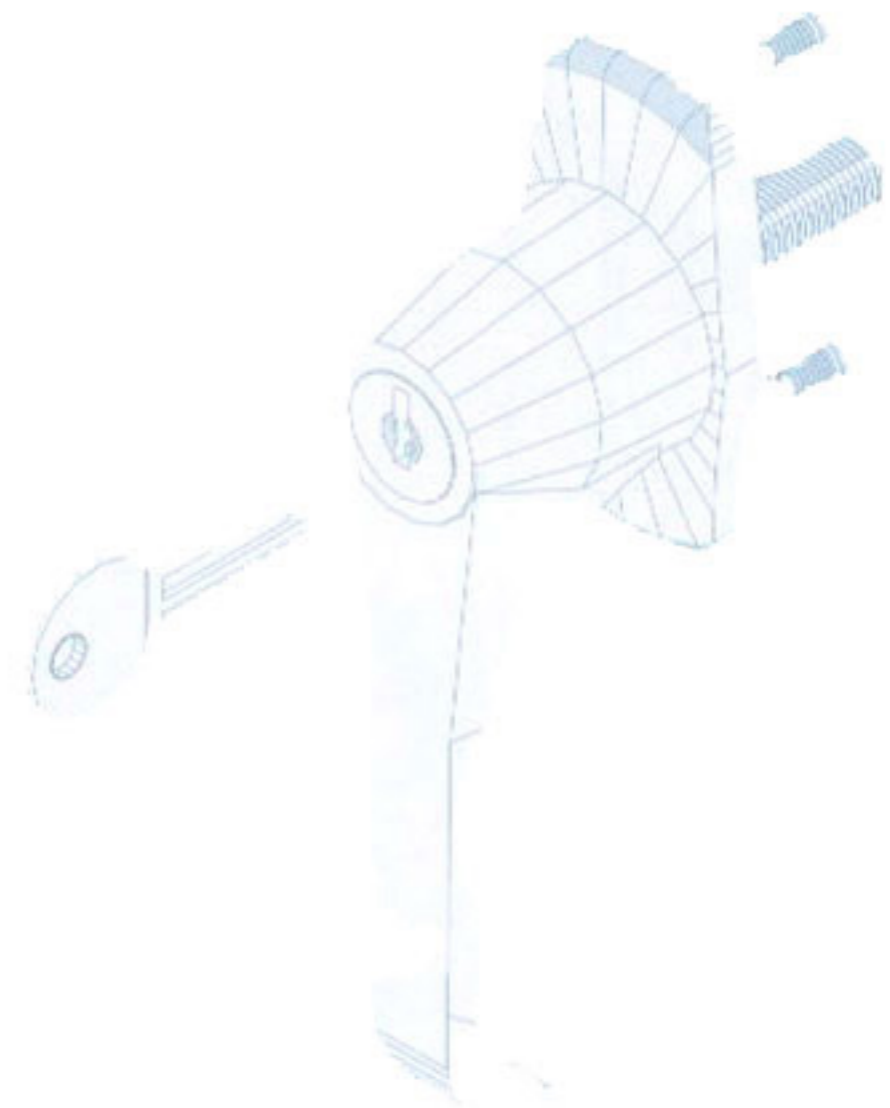
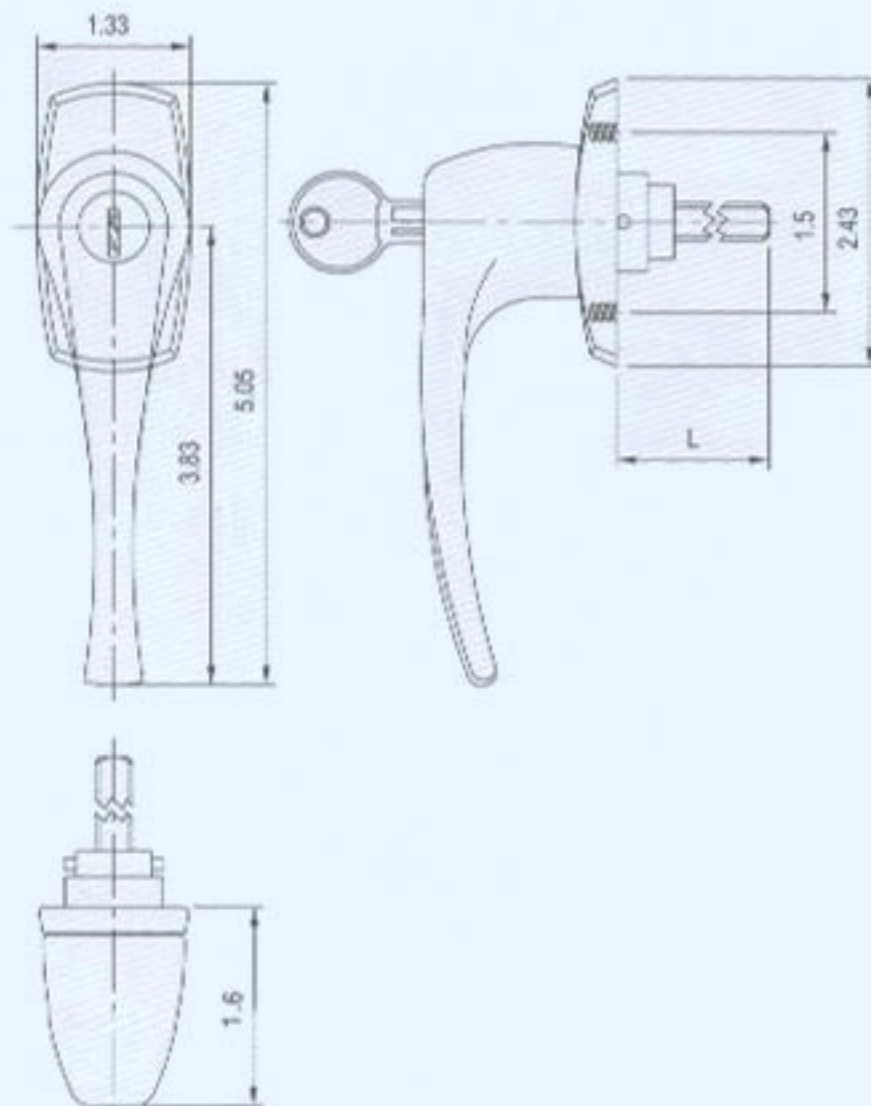
L705



DESCRIPTION

- . Zinc alloy die cast housing and cylinder.
- . Bright chrome plated standard; other finishes available upon request.
- . L705 locking
- . 5 disc tumbler mechanism.
- . Brass keys, nickel plated.
- . 90 degree clockwise or 90 degree counter-clockwise rotation.
- . 1 1/2" blind mount centers.
- . "L" dimension 2" threaded standard, other sizes available upon request.
- . All keyed alike or 25 combinations standard.
- . 100 combinations available.
- . See page 93 for standard cams.

Unit: in



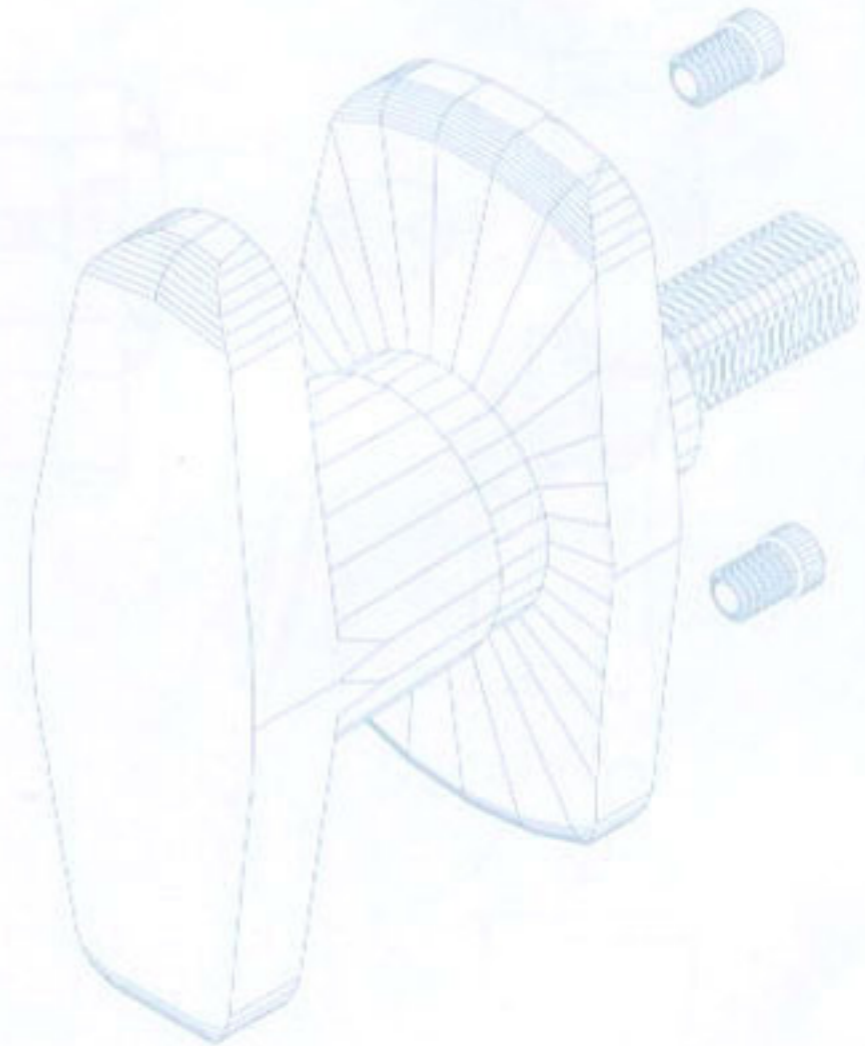
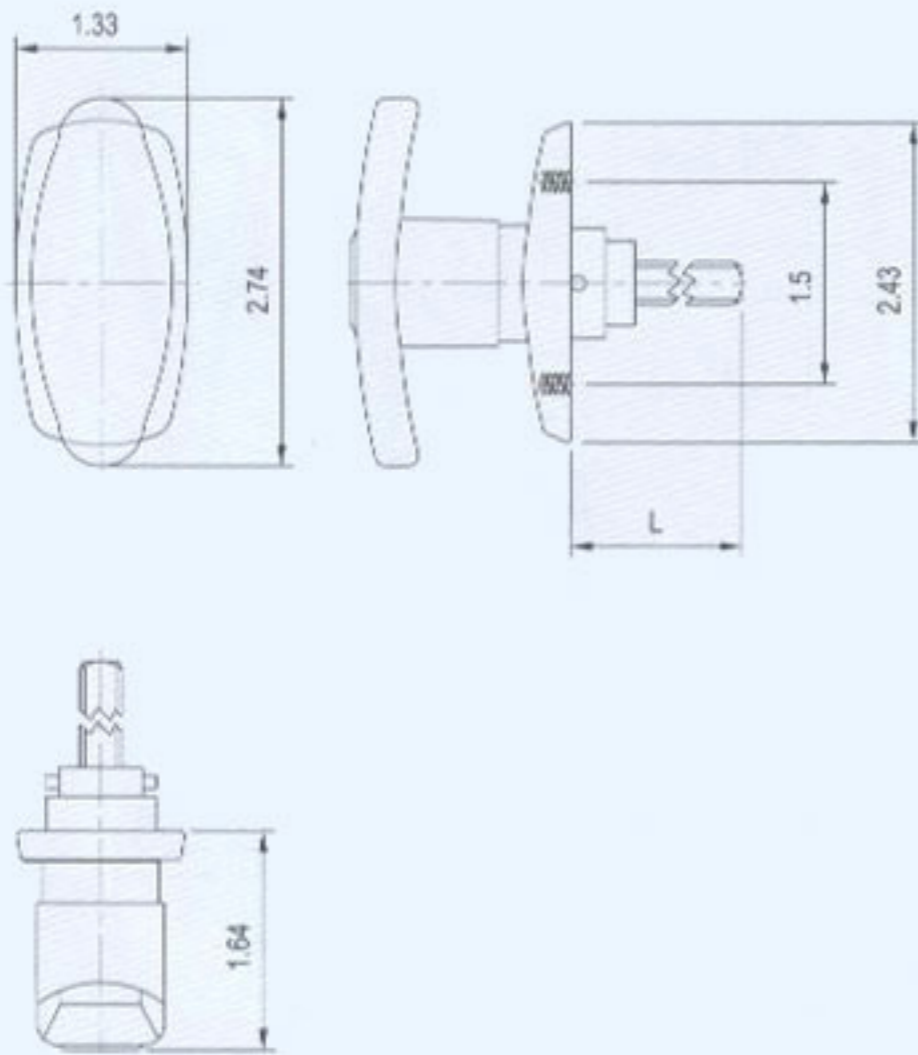
T704



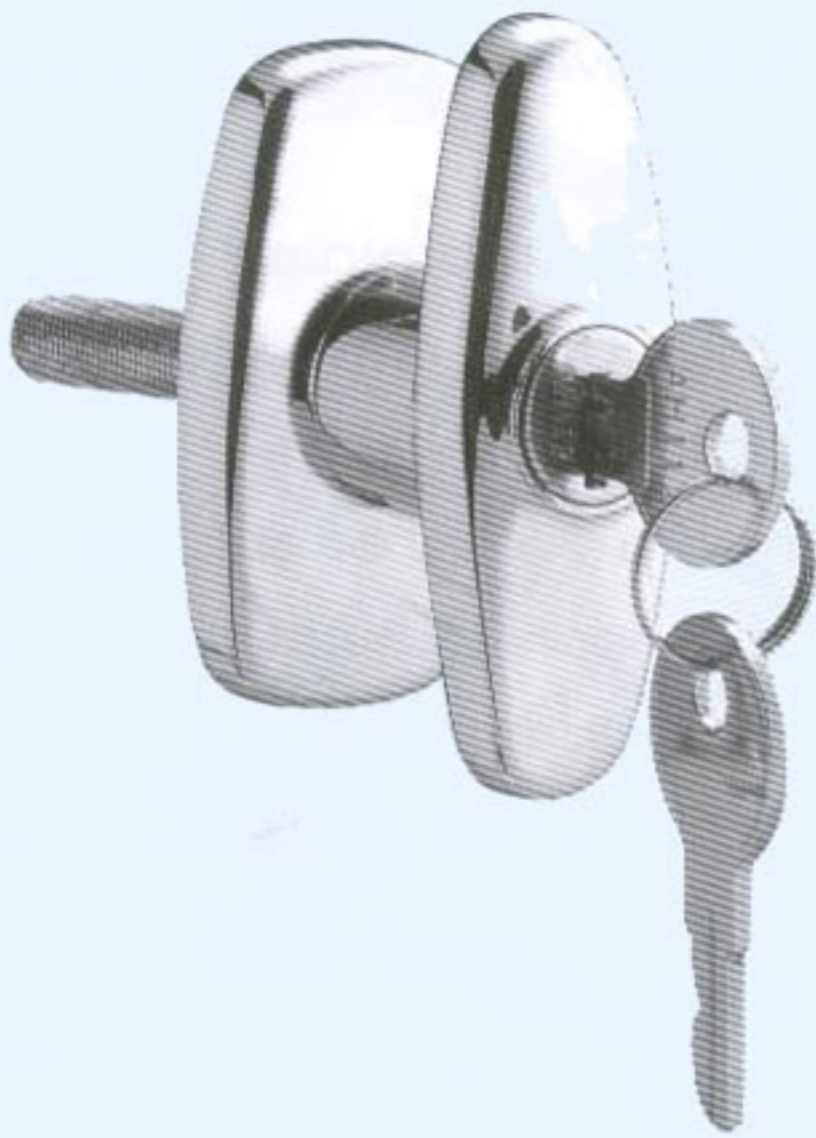
DESCRIPTION

- . Zinc alloy die cast housing and cylinder.
- . Bright chrome plated standard; other finishes available upon request.
- . T704 non-locking.
- . 90 degree clockwise or 90 degree counter-clockwise rotation.
- . 1 1/2" blind mount centers.
- . "L" dimension 2" threaded standard, other sizes available upon request.
- . See page 93 for standard cams.

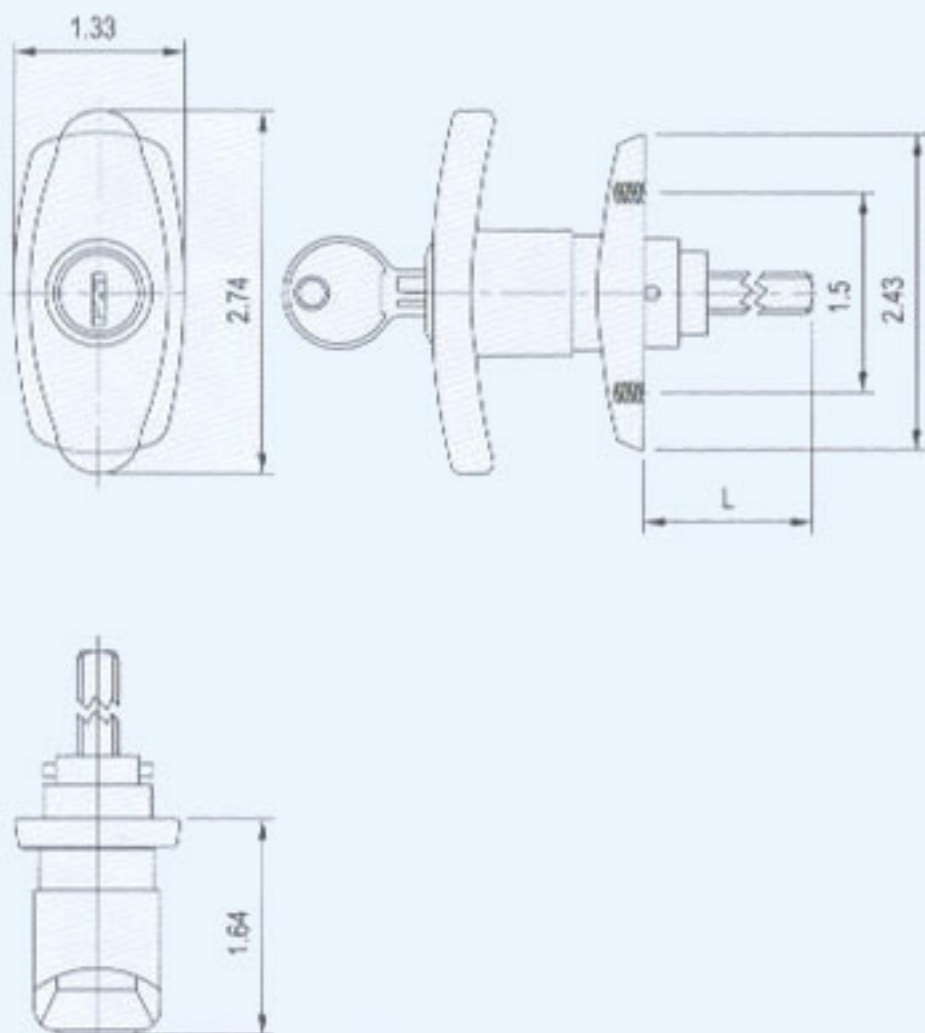
Unit: in



T705

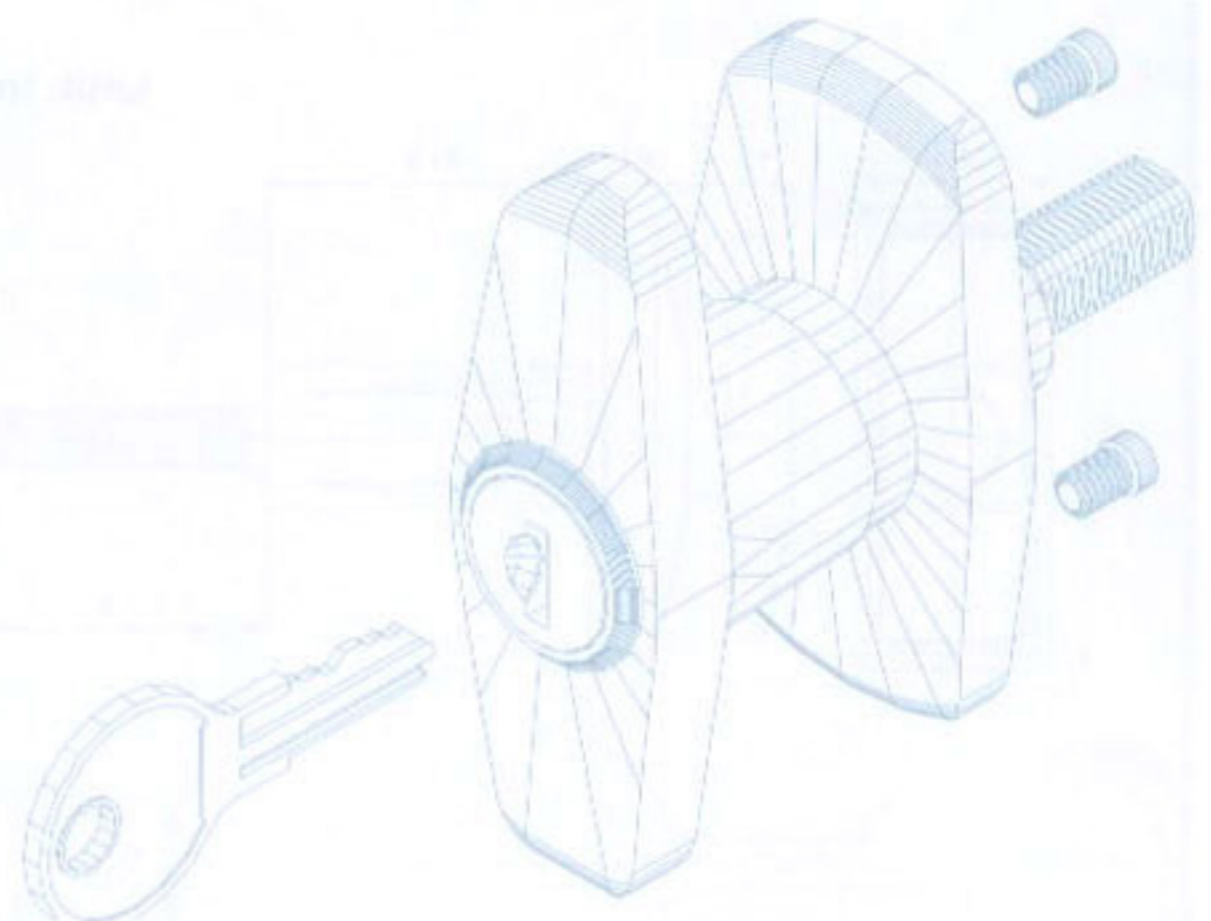


Unit: in

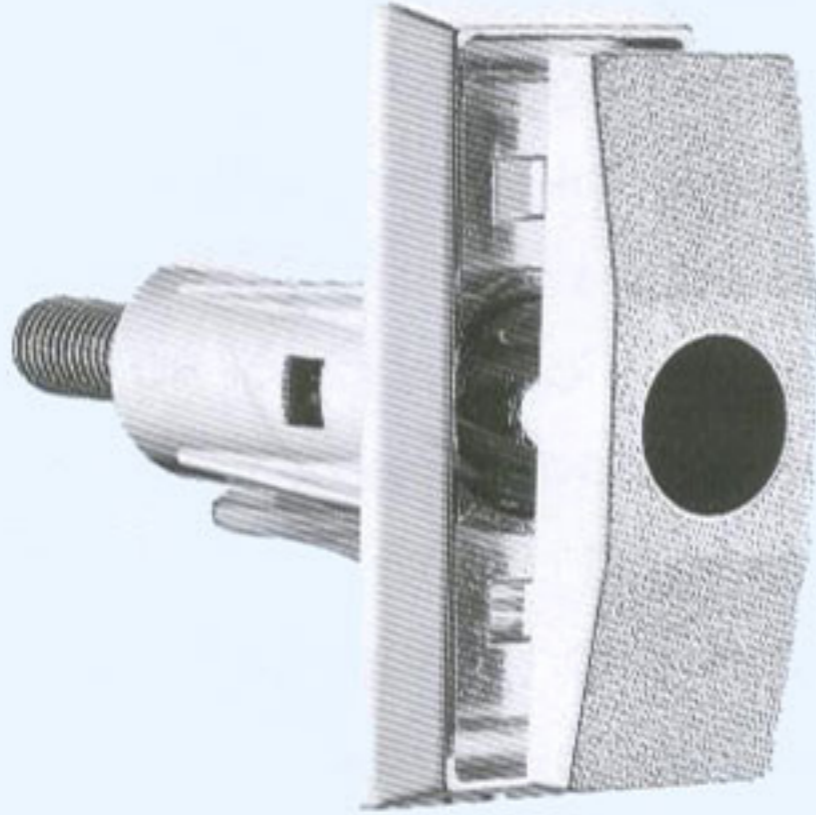


DESCRIPTION

- . Zinc alloy die cast housing and cylinder.
- . Bright chrome plated standard; other finishes available upon request.
- . T705 locking.
- . 5 disc tumbler mechanism.
- . Brass keys, nickel plated.
- . 90 degree clockwise or 90 degree counter-clockwise rotation.
- . 1 1/2" blind mount centers.
- . "L" dimension 2" threaded standard, other sizes available upon request.
- . All keyed alike or 25 combinations standard.
- . 100 combinations available.
- . See page 93 for standard cams.



T701



DESCRIPTION

- . Zinc alloy die cast housing, bright chrome over a matte textured face is standard.
- . Steel shaft, zinc plated.
- . Handle comes complete without cylinder.
- . Standard thread on shaft is 1/2"-13.
- . "L" dimension 63.5mm standard, others upon customer request.
- . Ideal for use on vending applications.

Unit: mm

